

SMP NOVA EXAM LED

Nova Exam LED meets the demands of today's clinical examination applications. The LED light source produces a cool light that enhances physician/patient comfort while delivering a uniform beam pattern and higher illumination levels. A sleek head design, combined with a patented K-arm, allows quick and reliable positioning while being easy to clean and maintain. The operational benefits include lower power consumption and longer light source life.



Higher performance and value for the practitioner, enhanced comfort for the patient.

FEATURES AND BENEFITS

Illuminance:

- Low level: 25,000 lux (2323 fc) at 18" (46 cm)
- High level: 50,000 lux (4645 fc) at 18" (46cm)

4,600 K color temperature

CRI (Color Rendering Index) of 93

Two LED light modules with a 40,000-hour life each

Maximum arm reach of 45" (114.3 cm)

Contemporary aesthetics

Better value for the practitioner

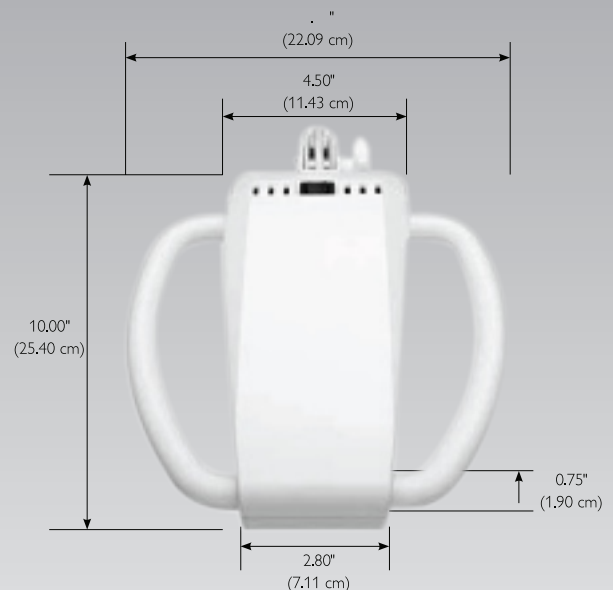
Wall, Floor, Ceiling and Table mount configurations available

UL/EC 60601-1, IEC 60601-1-2,

EN/IEC 60601-2-41 and CAN/CSA C22 NO. 601.1

M90 certified

5-year limited warranty





DESIGNED FOR PATIENT COMFORT AND EASE OF USE

- The LED source provides a virtually heat-free light so the patient remains comfortable
- Dual handles are easily accessible to position the light head
- The patented K-arm moves smoothly with no drifting

LOWER COST OF OWNERSHIP

The sleek light head aids routine cleaning

The LED source offers 10x the operational life of traditional halogen solutions

58% energy savings over comparable halogen options (at low light level setting) and 18% savings when providing double the illumination

ENHANCED PERFORMANCE

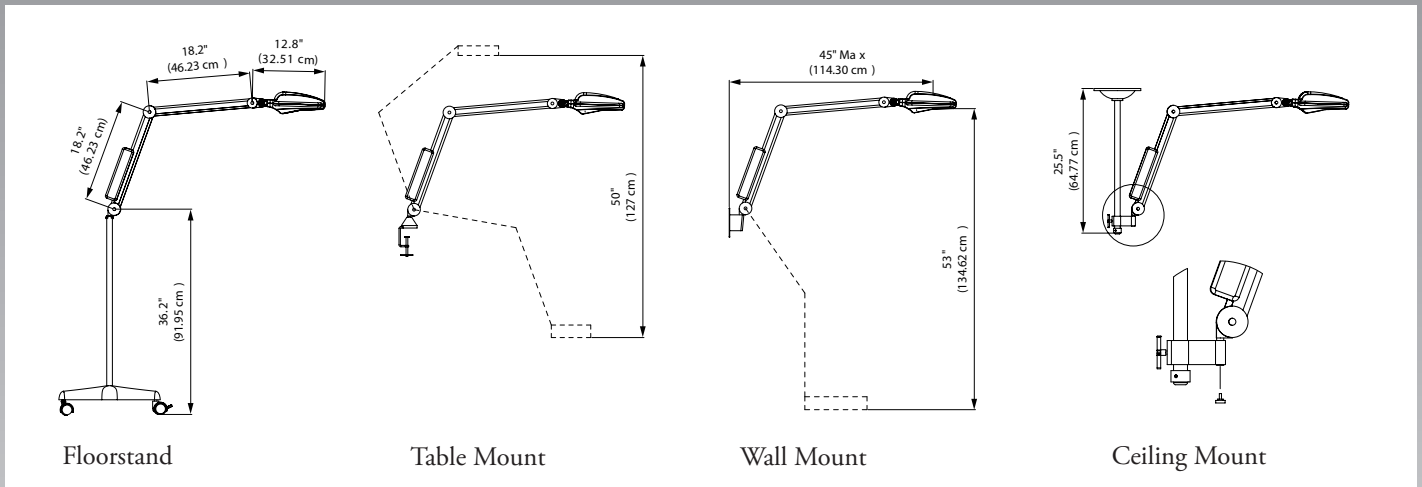
Nova Exam LED delivers a uniform beam pattern that aids the examination process

Dual intensity switching allows a choice between two illumination levels. The low level delivers a 19% increase in light level with only 8W of LED power compared to a 20W halogen option. The high level delivers an 11% increase in light level with only 16W of LED power compared to a 35W halogen option.

Maximum arm reach of 45" (114.30 cm)

Available with a variety of mounting options (floorstand, table, wall or ceiling) to fit the application

Delivers consistent light output during power supply fluctuations



ORDERING GUIDE

120V Model	230/240V Model (add appropriate country code to end of model no.)	100V Model	Description
SMP-NXFL-FL	SMP-NXFL ¹ ___-FL	SMP-NXFL01-FL	Floorstand
SMP-NXT-TM	SMP-NXT ¹ ___-TM	SMP-NXT01-TM	Table Mount
SMP-NXW-WM	SMP-NXW ¹ ___-WM	SMP-NXW01-WM	Wall Mount
SMP-NXC-CM	SMP-NXC ¹ ___-CM	SMP-NXC01-CM	Ceiling Mount
SMP-NXR-RM	SMP-NXR ¹ ___-RM	SMP-NXR01-RM	Rail Mount

Rail mount is available with SMP Dovetail rail adapter.

Add the appropriate country code to the end of the model number. Use "01" for Japan, "02" for the United Kingdom, "03" for Europe, "25" for Spain and "26" for Australia.



Solutions Start Here