

SMP LIGHT CARESS XC

Light Caress XC fulfills the needs for patient rooms in both extended and acute care facilities. The separate lamp compartments provide the ambient lighting and reading light for patient comfort. The smooth form reduces the visual impact on the wall while simplifying routine cleaning, and the LED nightlight provides safety for patient and staff alike. The die cast aluminum endcaps and extruded aluminum body ensure the durability that healthcare environments require.



FEATURES AND BENEFITS

Agion antimicrobial finish.

3-piece assembly simplifies installation and servicing

The standard antimicrobial finish supports facilities' infection control protocol

The 4-position pull chain switch (120V only) provides sequential control of the indirect and direct lamp compartments

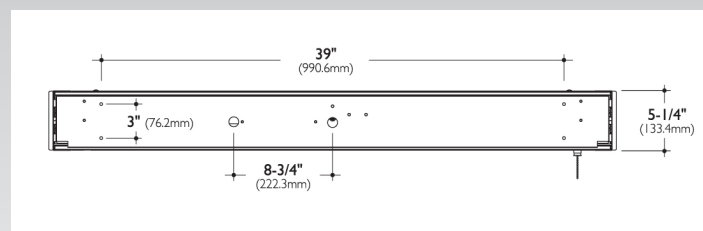
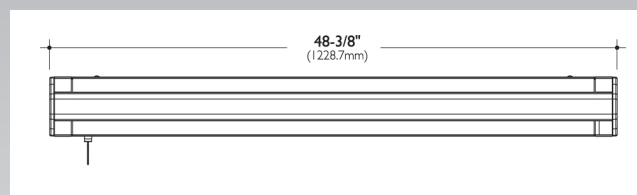
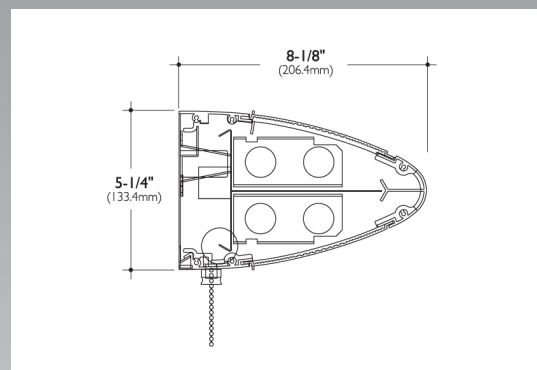
A variety of lamp configurations can be selected to fit the application

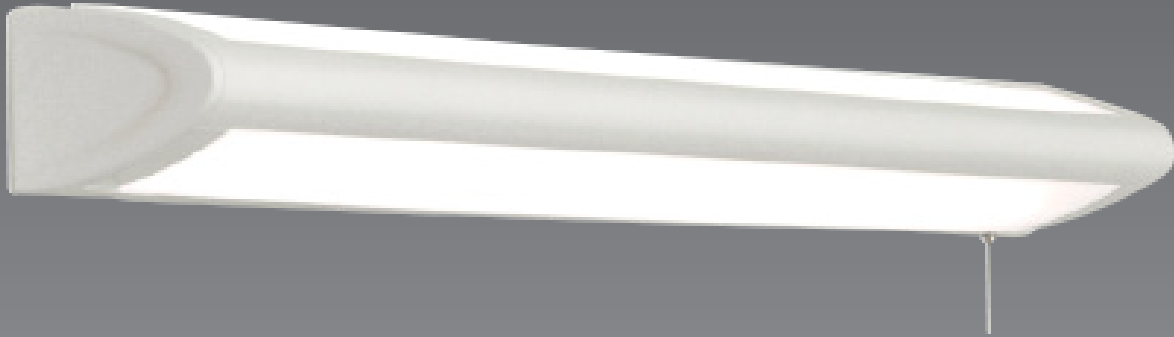
3,500 K T8 fluorescent lamps are provided with the Light Caress XC

LED nightlight standard

UL and CUL listed for damp locations

5-year limited warranty

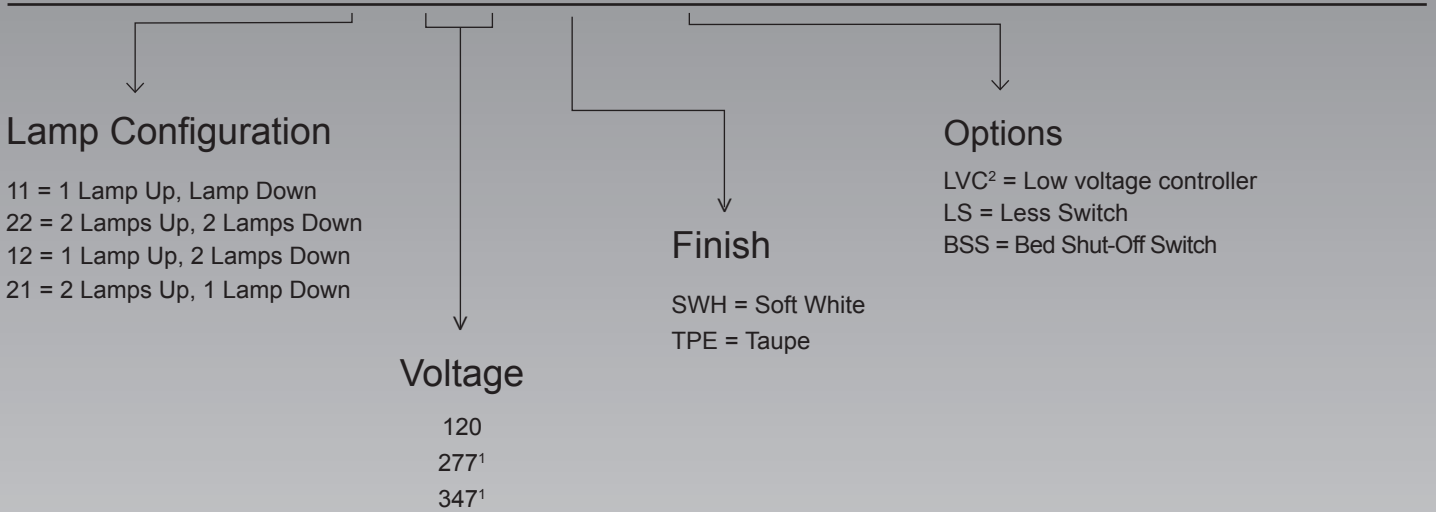




Sample Model No: SMP-LCXC4T8-22-120-SWH-LS = 4' (122 cm) Light Caress XC;2 Lamps Up, 2 Lamps Down, 120V Soft White Finish, Less Switch

ORDERING GUIDE

S M P - L C X C 4 T 8 - X X - X X X - X X X - X X X



¹Not available with pull chain switch

²The LVC is factory installed in the fixtures and replaces the pull chain switch. The LVC is compatible with industry standard bed control systems (by others) and can be field wired for either separate or sequential switching of indirect and direct lamps.