

Submittal Data Sheet

Features

The Powerex slide brackets are designed to be used with the PX-XF series medical gas outlets.

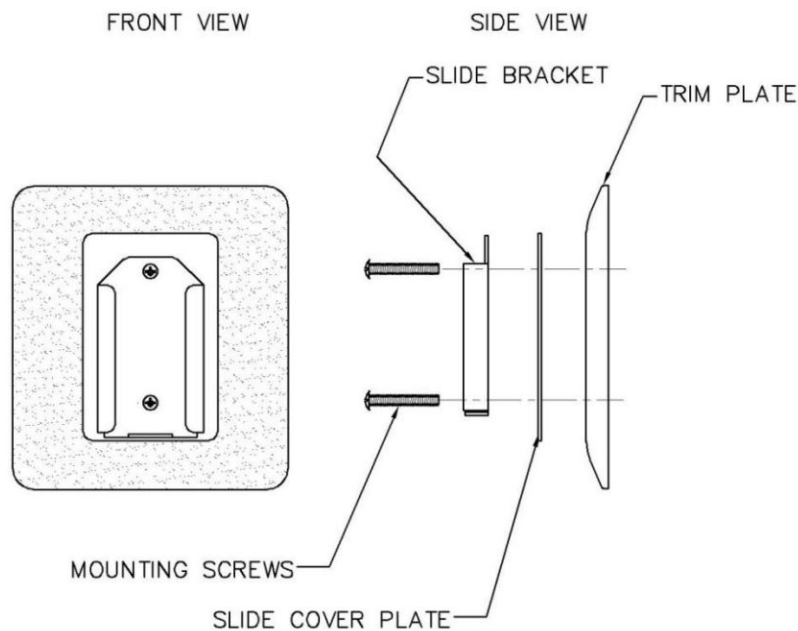
- Anodized aluminum brushed finish.
- Standard trim plate is off-white aluminum die cast. Also available in pewter aluminum die cast and off-white plastic.
- Two sizes of off-white plastic trim plates are available.

Specification

The slide brackets shall be Powerex XF series slide brackets. The slide bracket shall be anodized aluminum with a brushed finish.



Slide bracket with cover plate, mounting screws, and standard PX-XC1000-9DC trim plate shown above.



Ordering Information

Part #	Description
PX-F1144-6	Slide Bracket
PX-AQ1144-1	Slide Cover Plate
PX-30-0003	Mounting Screws
PX-XC1000-9DC	Standard Die Cast White Trim Plate (4.984" W x 5.484" L x .4" H)
Optional	
PX-XC1000-9DCP	Die Cast Pewter Trim Plate (4.984" W x 5.484" L x .4" H)
PX-XC1000-9	Plastic White Trim Plate (4.984" W x 5.484" L x .4" H)
PX-XC1000-10	Plastic White Trim Plate (2.735" W x 4.5" L x .19" H)