

Submittal Data Sheet

Features

The Powerex Med Touch area alarm zone valve panel digitally displays gas pressure (1 psi increments) and provides alarm conditions as required by the latest edition of NFPA 99 for up to 7 medical gases. The alarm is ETL listed to UL 1069 and CSA C22.2 # 205 Signal equipment. Transducers are included.

- Individual 2.85" LCD touch screen display for each gas service.
- The LCD touch screen allows all alarm programming and set up to be done without the use of tools.
- A green normal or red alarm condition for each gas service confirms the condition for each individual gas service.
- Emergency preparedness instructions - Med Touch alarm panels allow users to set up customized instructions for each alarm signal which appear when the signal is in alarm.
- Last event history (per gas board /signal point).
- Made in the U.S.A.
- NFPA and ISO pre-loaded gas 'labels'.
- English, and English/French pre-loaded languages.
- Editable text and alarm 'labels'.
- Self-contained unit designed for ease of installation & service.
- Self-diagnostic error message display for ease of maintenance.
- Audio and visual alarm indicators.
- Bright easy to read LCD displays – clearly visible in both day and night lighting conditions.
- Constant display and monitoring of each gas.
- User programmable high/low set points.
- Dry contacts for remote monitoring of all alarm conditions on each gas module and on the CPU module for the entire panel.
- Easy to read – color coded gas modules.
- Hinged frame for easy accessibility.
- Color coded displays.
- Does not require re-calibration.
- Gas specific sensor with DISS nut & nipple. An error message will be displayed if incorrect sensor or no sensor is attached.
- Shall be capable of displaying gas readouts in PSI, kPa, BAR, inHg, or mmHg.
- Gas alarm repeat feature is factory set at 10 minutes, and is adjustable or may be turned off.
- All valves are dual gauge port full port ball valves.
- 3 piece in-line repairable valves.
- Adjustable packing with blow-out proof stem design.
- Accommodate up to 7 valves sizes from ½" to 2".



- Valves to have a working pressure of 600 psi (29 inHg vacuum).
- All valves cleaned for Oxygen service.
- Plastic insulators to protect from galvanic corrosion.
- Provided with 1 ½" diameter gauges.
- Five year parts warranty and one year labor warranty.

Specifications

All area alarm zone valve panels shall be the Powerex Z T series and must be installed and tested in strict accordance with NFPA 99 standards and or any other local codes before use.

The alarm/ zone valve shall be the Powerex Integrated Area Alarm/ Zone Valve Panel. The panel shall be microprocessor controlled and designed to comply with NFPA 99. The panel shall be 100% digital and shall not require re-calibration. The unit shall be enclosed in a steel box and shall be designed to accept an electrical input range of 120-240 volts AC – 50-60 hertz. The source voltage shall be stepped down with a self-contained transformer. The panel shall contain audible and visual alarm indicators. The audible alarm may be silenced by pressing the alarm silence button, but the visual alarm indicator can only be cancelled by fault correction. The alarm shall detect and filter out transient (less than 0.6 seconds) signals created by R.F.I. The alarm shall be capable of displaying alarm history for all possible alarm conditions.

The alarm shall be capable of monitoring and displaying up to 7 gases per alarm panel. Gas modules can be arranged in accordance with the customer's requirements.

Valves

The valves shall be dual gauge port, cast bronze, ball-type, with Teflon (TFE) seats and seals. All valves shall be rated at a working pressure of 600 psi (29 inHg vacuum) and shall be operated by a lever-type handle, requiring only a quarter turn from a fully open position to a fully closed position. Valves shall incorporate an adjustable packing and a blow-out proof stem. Only full port valves having flow rates comparable to equivalent size of pipe shall be used. Valves shall

be piped from left to right.

All valves shall be provided with type K copper tubing extensions to facilitate installation. Valves shall be 3 piece in-line repairable type. Each valve assembly shall be supplied cleaned for oxygen service in accordance with current CGA standards. The valve tube ends shall be capped and sealed in a protective container to prevent contamination prior to installation.

Gauges shall be 1 1/2" diameter for monitoring pressure and vacuum, and shall state: "USE NO OIL". Dual scale gauges are not acceptable for the U.S.A. installations.

Box

The valve box shall be 18 gauge sheet steel construction painted to prevent rust. A single box shall house from one to seven valves. Box shall be supplied with an adjustable plaster flange 1/2" to 1 1/8" for easy mounting.

Window

Valve box assembly shall be supplied with a formed steel decorative frame painted white which encloses an easily removable flexible window. The window shall be a "smoked" translucent flexible plastic with a pull-out ring pre-mounted to the center of the window. The window shall not be replaceable while any valve is in a closed position. Window shall be silk screened with the following statement "CAUTION: MEDICAL GAS SHUTOFF VALVES. CLOSE ONLY IN EMERGENCY."

The following options shall be able to be added to the panel at the time of order or after installation;

- Optional text/e-mail notification of alarm events sent to up to five addresses.
- Optional Ethernet module. This module may be added to any alarm panel. It will provide the following features:
 - Webserver – allows a remote user access to the alarm's webpage – viewing a graphic image of the alarm with all signal conditions, pressure & event / history log information.
 - Text notification of alarm conditions (up to 5 addresses).
 - Event / history log – maintains a rolling list of the 100 most recent alarm condition events and a file of the 1,000 most recent alarm events and is downloadable through embedded web page.
 - Modbus interface.
- Event log is viewable and downloadable through embedded web page, including the most recent 1,000 events.
- Optional Ethernet connectivity with embedded web page.
- Interface with building automation system via Ethernet.

Gas/Area Display

Shown in alarm condition displaying rooms/area monitored. Display blinks on and off when in alarm condition drawing attention and alternates displaying rooms/area monitored with user programmed emergency instructions.



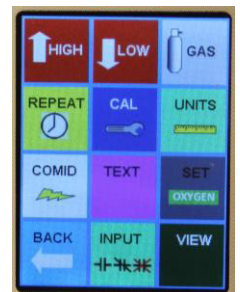
Shown in alarm condition displaying emergency instructions. Display blinks on and off when in alarm condition drawing attention and alternates displaying rooms/area monitored with user programmed emergency instructions.



Shown in normal condition. Code specific gas colors, and gas name are displayed at the top in facilities language. Gas pressure and units of measure are displayed in the middle of the screen. Normal or Alarm condition is displayed in the bottom center. Rooms/area monitored alternates with user programmed emergency instructions at the bottom.



Easy to use icon menu provides quick access to programming options.



Security is built in to each circuit board. The correct four digit pin code must be entered in order to access the programming software.



Ordering Information

Easy to use modular ordering system.

Fill in the blanks to specify the Med Touch Master Alarm that meets your needs.

Model Numbering:



Repeat two-character set for each valve

C = Communication Option

- 2 – Ethernet Web Server, Event Log, Alarm Notifications (sent to up to 5 users), and Modbus Interface

G = Gas Service

- | | | |
|---------------------------|--|--------------------|
| A = Medical Air | J = CO ₂ -O ₂ Mixtures | R = Tri-Gas |
| B = Blank Slot | CO ₂ over 7% DISS 1080 | S = AGSS |
| C = Carbon Dioxide 50psig | K = He-O ₂ Mixtures | T = Nitrogen |
| D = Carbon Dioxide 80psig | He over 80% DISS 1060 | V = Medical Vacuum |
| F = Future Expansion | L = Helium | W = WAGD/EVAC |
| H = Hyperbaric Oxygen | N = Nitrous Oxide | |
| I = Instrument Air | O = Oxygen | |

S = Size of Valve

- | | |
|------------------|------------------|
| 2 – 1/2" valve | 6 – 1 1/2" valve |
| 3 – 3/4" valve | 7 – 2" valve |
| 4 – 1" valve | X – no valve |
| 5 – 1 1/4" valve | |

N = Number of Valves

1 through 7

C = Gas Set

- U – Powerex Labeled NFPA Color Code English
- I – Powerex Labeled ISO Color Code English/French

ZT = Type of Valve Box

ZT – Touch Screen Digital

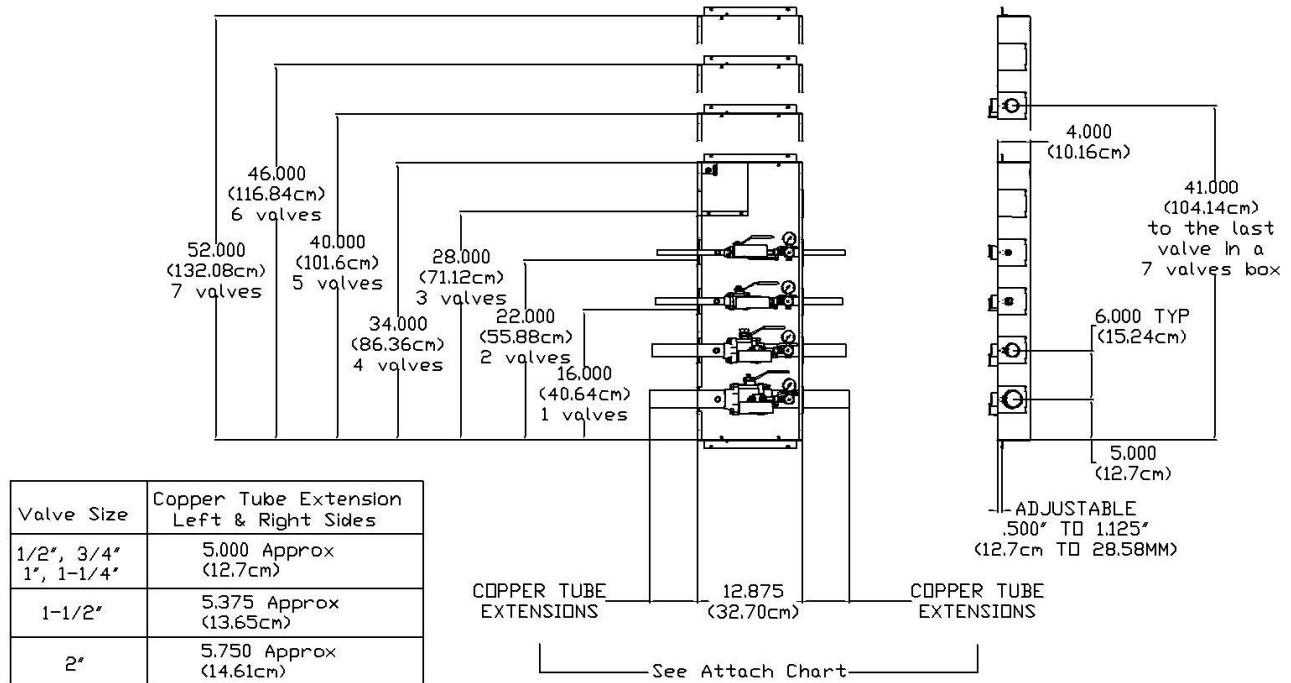
Part Number Examples

PX-ZTU22N30 = 2 gas valve box and gauges on right side of both valves with 1/2" N2O, 3/4" OXY valves, NFPA Color Code English Display No Interface Communication Option.

PX-ZTU32A305V2 = 3 gas valve box and gauges on right side only of all 3 valves with 1/2" AIR, 3/4" OXY, 1 1/4" VAC valves. NFPA Color Code English Displays and Ethernet Webserver and Modbus Interface Communication Option.

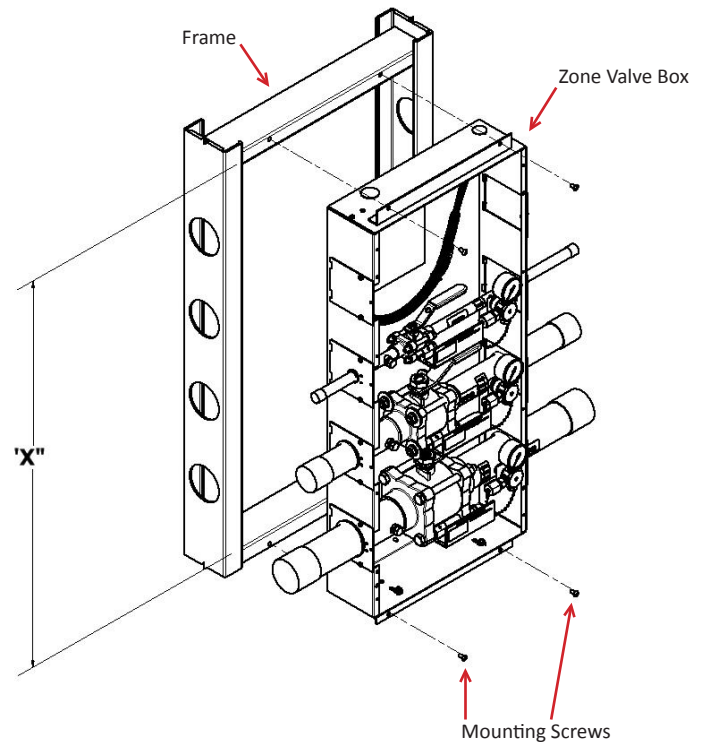
Dimensions

Inches (mm)



Rough Opening Height Dimension for X

# of Valves	Inches	Centimeters
1	16.125	40.96
2	22.125	56.20
3	28.125	71.44
4	34.125	86.68
5	40.125	101.92
6	46.125	117.16
7	52.125	132.40



Dimensions

Inches (mm)

