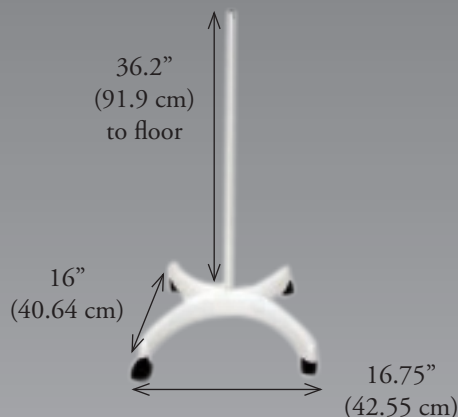


SMP SUPER EXAM 50

Best in class intensity, color temperature and CRI on a highly-positionable K-arm. Delivering higher illumination in a limited area, Super Exam 50 is ideal for obstetrics, gynecology and emergency rooms. Super Exam 50 uses halogen technology for maximum light output and color rendering. A dual lens optical system collects and concentrates light in a precise beam.



Unique dual lens technology produces greater light intensity than competitive models

FEATURES AND BENEFITS

- High-intensity of 30,000 lux at 1 meter
- 4,000 K color temperature
- CRI (Color Rendering Index) of 99
- Drift-free K-arm with 42"
- 50W MR-16 bulb with 4000-hour life
- UL/IEC 60601-1, IEC 60601-1-2, EN/IEC 60601-2-41 and CAN/CSA C22.2 NO. 601.1 M90 certified CE marked
- 5-year limited warranty

K-Arm Technology

Medical products are used in a dynamic environment and need a great level of flexibility. Friction-based arms with tightening screws make movement a problem. If you loosen a friction screw too much, the arm will collapse! That's why Philips Burton's Super Exam 50 and LED use a unique, self-balancing K-Arm. No other arm in the market offers this kind of extensive reach. Internal springs ensure smooth, easy positioning and the arm will stay in the right position without drifting.

